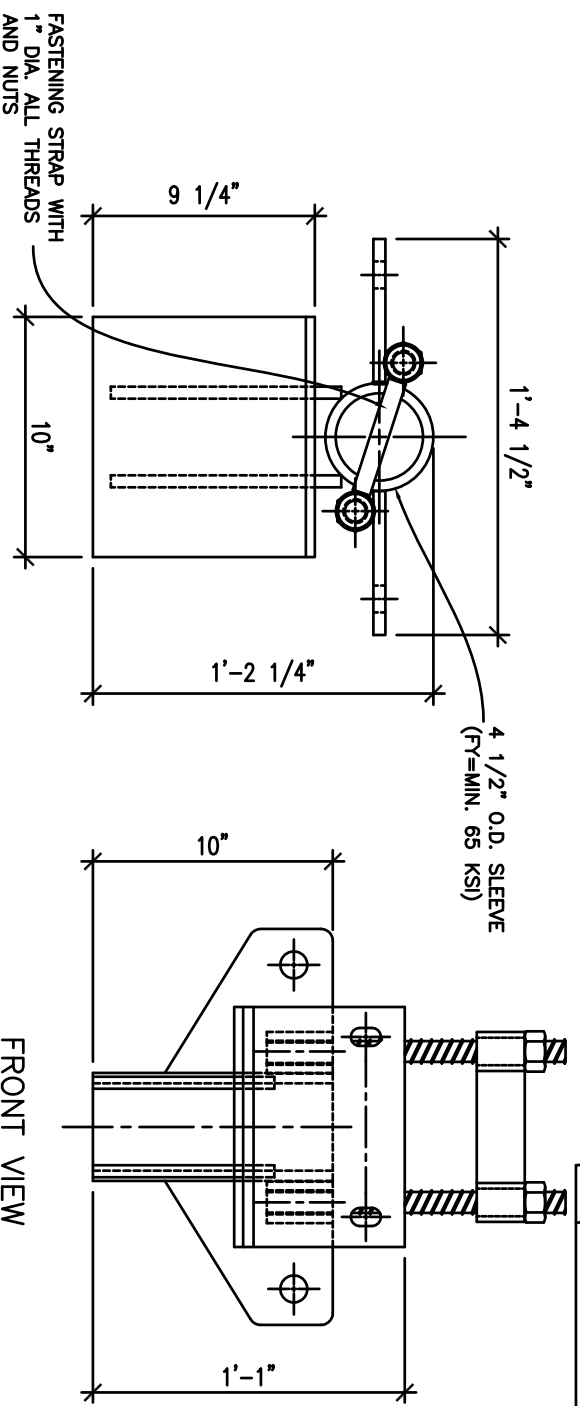


Rev No	Revision note	Date	Signature	Checked

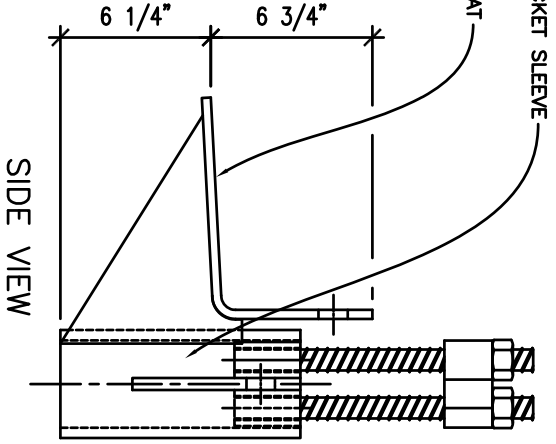


TOP VIEW

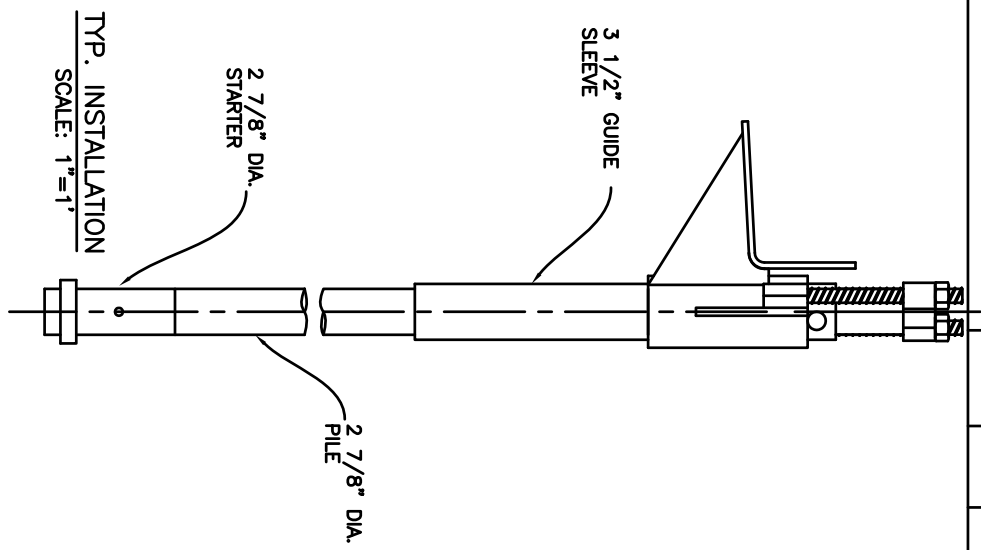
FRONT VIEW

1. POLYETHYLENE COPOLYMER THERMOPLASTIC COATING PER ICC-ES AC 228
3. MANUFACTURER TO HAVE IN EFFECT INDUSTRY RECOGNIZED WRITTEN QUALITY CONTROL FOR ALL MATERIALS AND MANUFACTURING PROCESSES.
4. ALL WELDING IS TO BE DONE BY WELDERS CERTIFIED UNDER SECTION 5 OF THE AWS CODE D1.1.
5. THE CAPACITY OF THE UNDERPINNING SYSTEM IS A FUNCTION OF MANY INDIVIDUAL ELEMENTS, INCLUDING THE CAPACITY OF THE FOUNDATION, BRACKET, PIER SHAFT, HELICAL PLATE, AND BEARING STRATA, AS WELL AS THE STRENGTH OF THE FOUNDATION BRACKET CONNECTION AND THE QUALITY OF THE INSTALLATION OF THE PILE. YOUR ACHIEVABLE CAPACITY COULD BE HIGHER OR LOWER THAN THOSE LISTED DEPENDING ON THE ABOVE FACTORS.
6. RAM JACK ENGINEERING HANDBOOK FOR ALLOWABLE VALUES AND/OR CONDITIONS OF USE CONCERNING MATERIAL PRESENTED IN THIS DOCUMENT.
7. ICC-ES RECOGNIZED PER ESR-1854

NOTES:



SIDE VIEW



TYP. INSTALLATION
SCALE: 1"=1'

THIS DRAWING AND ITS CONTENTS ARE CONFIDENTIAL AND THE EXCLUSIVE PROPERTY OF RAM JACK SYSTEMS DISTRIBUTION, LLC. NO PUBLICATION, DISTRIBUTION OR COPIES MAY BE MADE WITHOUT THE EXPRESSED WRITTEN CONSENT OF RAM JACK SYSTEMS DISTRIBUTION, LLC. ALL RIGHTS RESERVED UNDER COPYRIGHT LAWS.



UNLESS OTHERWISE SPECIFIED

- * DIMENSIONS ARE IN INCHES
- * TOLERANCES: ANGLE ±1°
- * 3 PLACE DECIMALS ±.010
- * 2 PLACE DECIMALS ±.02
- * REMOVE ALL BURRS AND SHARP EDGES
- * PARENTHETICAL INFO FOR REF ONLY

SOLE TOLERANCES

.013	THRU +.004	128	THRU +.004	251	THRU +.006
.125	THRU -.001	.250	THRU -.001	.500	THRU -.001
.501	THRU +.008	.751	THRU +.010	1.001	THRU +.012
.750	THRU -.001	1.000	THRU -.001	2.000	THRU -.001

FILE NAME	RSCH NO	SHEET	SCALE
4021 DRIVEN PILE		1 OF 1	1 1/2" = 1'-0
SIZE	DRAWN	CHECK	ISSUED
A-SIZE TITLE BLOCK	CHARLES MARVIN	DARIN WILLIS	
APPR.	DATE	DWG NO	
DARIN WILLIS		4021 DRIVEN PILE BRACKET	
REV			
CONTACT ID			
			4021-02-07