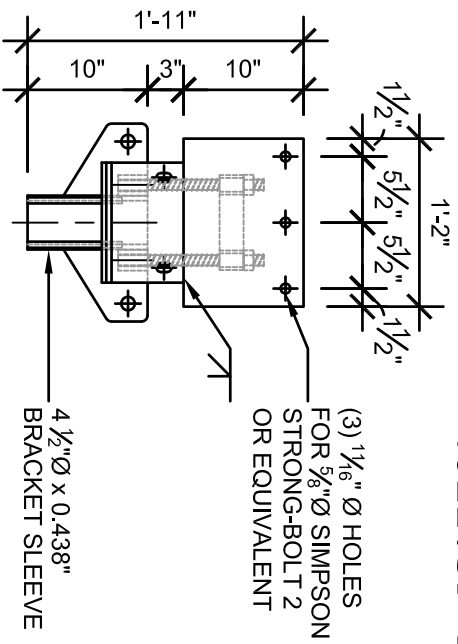
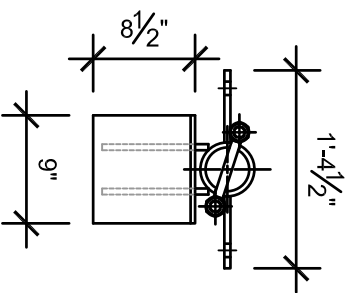


# 4021. SD BRACKET - 2 7/8" Ø HELICAL PILE



FRONT VIEW

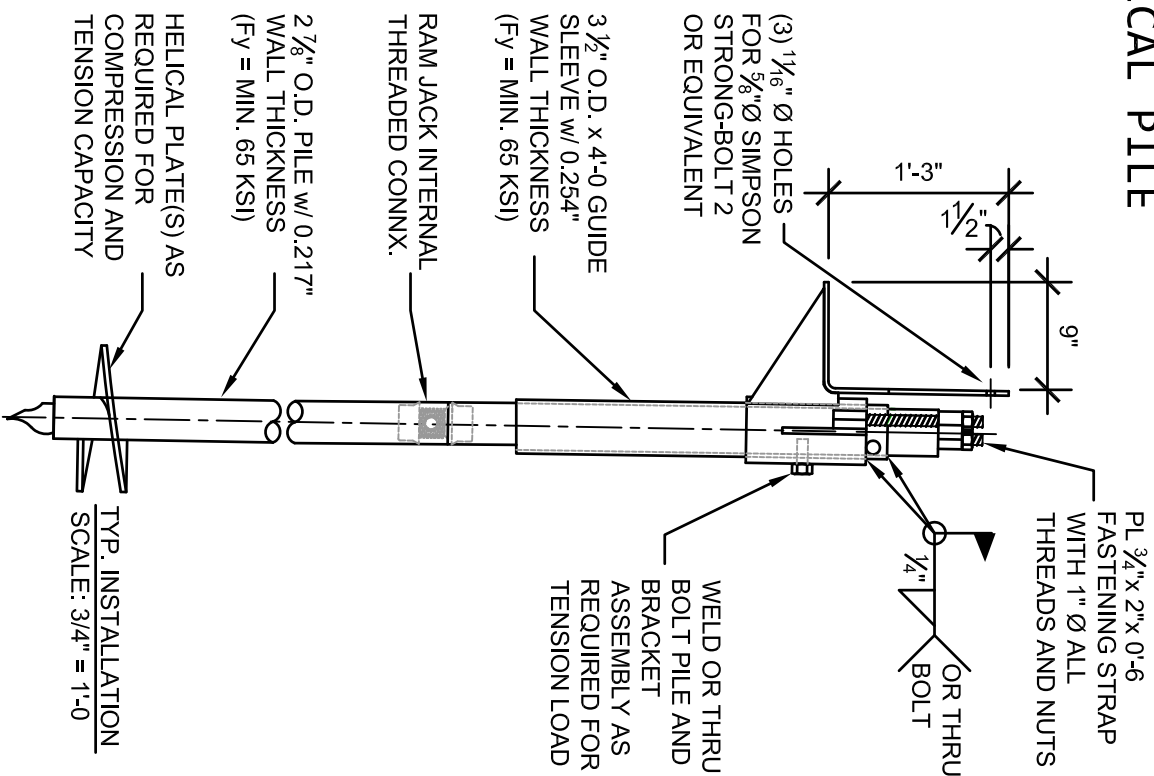


TOP VIEW

LOAD CHART	
ULTIMATE COMPRESSION CAPACITY	67,400 LBS
ALLOWABLE COMPRESSION CAPACITY (S.F. = 2)	33,700 LBS
MAXIMUM LATERAL LOAD CAPACITY	CALC. REQ'D
MAXIMUM TENSION CAPACITY	CALC. REQ'D

**NOTES:**

1. POLYETHYLENE COPOLYMER THERMOPLASTIC COATING PER ICC-ES AC228.
2. MANUFACTURER TO HAVE IN EFFECT INDUSTRY RECOGNIZED WRITTEN QUALITY CONTROL FOR ALL MATERIALS AND MANUFACTURING PROCESSES.
3. ALL WELDING IS TO BE DONE BY WELDERS CERTIFIED UNDER SECTION 5 OF THE AWS CODE D1.1.
4. THE CAPACITY OF THE UNDERPINNING SYSTEM IS A FUNCTION OF MANY INDIVIDUAL ELEMENTS, INCLUDING THE CAPACITY OF THE FOUNDATION, BRACKET, DESIGN UNBRACED LENGTH, PIER SHAFT, HELICAL PLATE, AND BEARING STRATA, AS WELL AS THE STRENGTH OF THE FOUNDATION BRACKET CONNECTION AND THE QUALITY OF THE INSTALLATION OF THE PILE. YOUR ACHIEVABLE CAPACITIES COULD BE HIGHER OR LOWER THAN THOSE LISTED DEPENDING ON THE ABOVE FACTORS.



**RAM-JACK**

4021 BRACKET W/ 2 7/8" PILE				CATALOG NO. : SEE TABLES	REV. 1
SCALE	DRAWN BY	DATE:	SHEET 1 OF 1		
3/4" = 1'-0"	SA	07/20/16			